

# data sheet

**Colenta**<sup>®</sup>

## **INDX 900e NDT X-Ray-Filmprocessor**



**Colenta**<sup>®</sup>

**COLENTA Industrial X-Ray Film Processor:**  
**TYPE: INDX 900e** For common used Industrial X-Ray Films

10/2019 AN

# Colenta<sup>®</sup> INDX 900e NDT X-Ray-Filmprocessor

## Technical Specifications

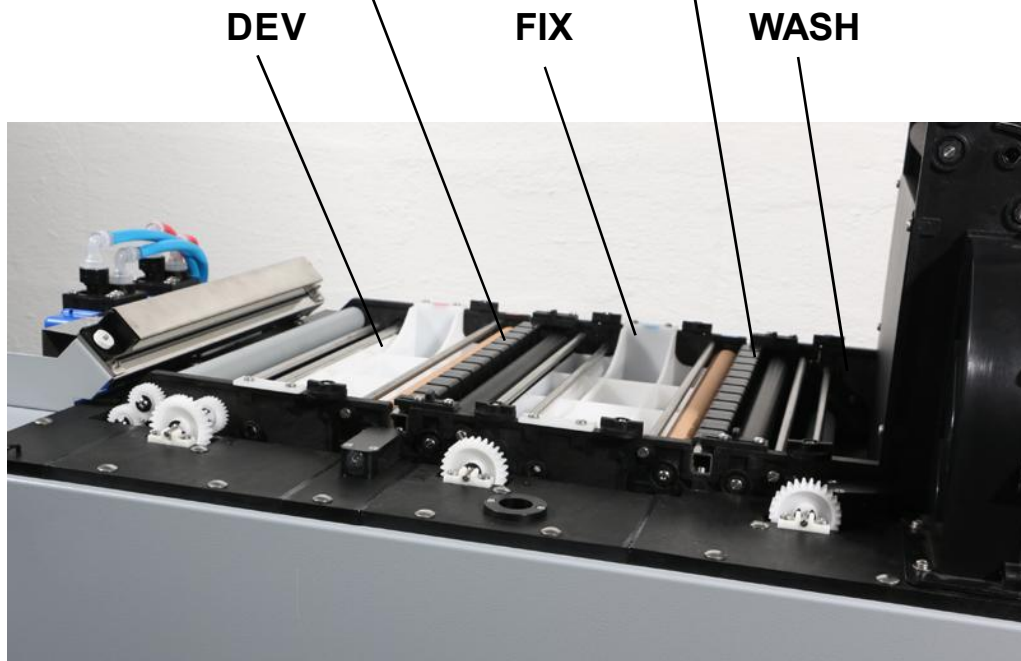
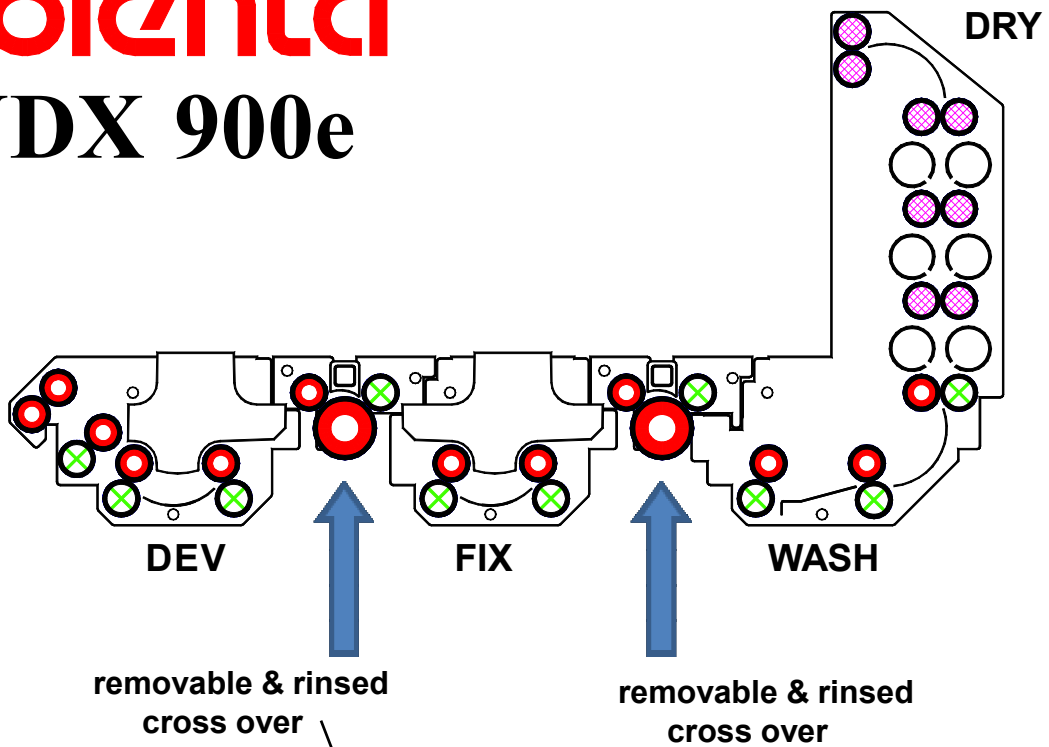
Processing applications:	common used Industrial X-Ray films	
Film thickness:	min. 0,10 mm	
Material width:	min. 6 cm (2.36") - max. 36 cm (14")	
Material length:	min. 10 cm (4")	
processing capacity	13cm/min @ 100 sec DevTime	
Time in Developer:	min. <b>30</b> sec	max. <b>150</b> sec
Intake Speed:	38 cm/min	8 cm/min
Cycle Time:	2,7 min (162 sec)	13,6 min (816 sec)
	(see the table on one of the next page)	

		<b>INDX 900e</b>
<b>Tank capacity -</b>	Developer:	2,6 L
	Fixer:	2,5 L
	Wash water:	3 L
Solution heating(Fix and DEV):	variable in a range of 18°C - 43°C (350W Inline Heater)	
Dryer:	warm air	
Replenishment:	fully automatic. replenishment is microprocessor controlled and calculated from information received from sensors measuring the width and length of material entering the processor. Replenishment cycles are variable.	
power supply:	1 / N / PE~ 230V (+6% / -10%), 50Hz, 13A, 1.7KW (alternatives are available on request)	
water supply:	2-way magnetic valve, with 3/4" hose connection by using a DVGW-approved system-separating device or pipe-separating device.	
Wash water flow rate:	1,5 ltr/min when film is in process	
Wash water supply pressure:	3 - 10 bar	
Wash water supply:	filtered at a temperature of 10°C - 15°C	
		<b>INDX 900e</b>
<u>Weight:</u>	Empty	58 kg
	With solution	66 kg

Technical specification subject to change without notice.

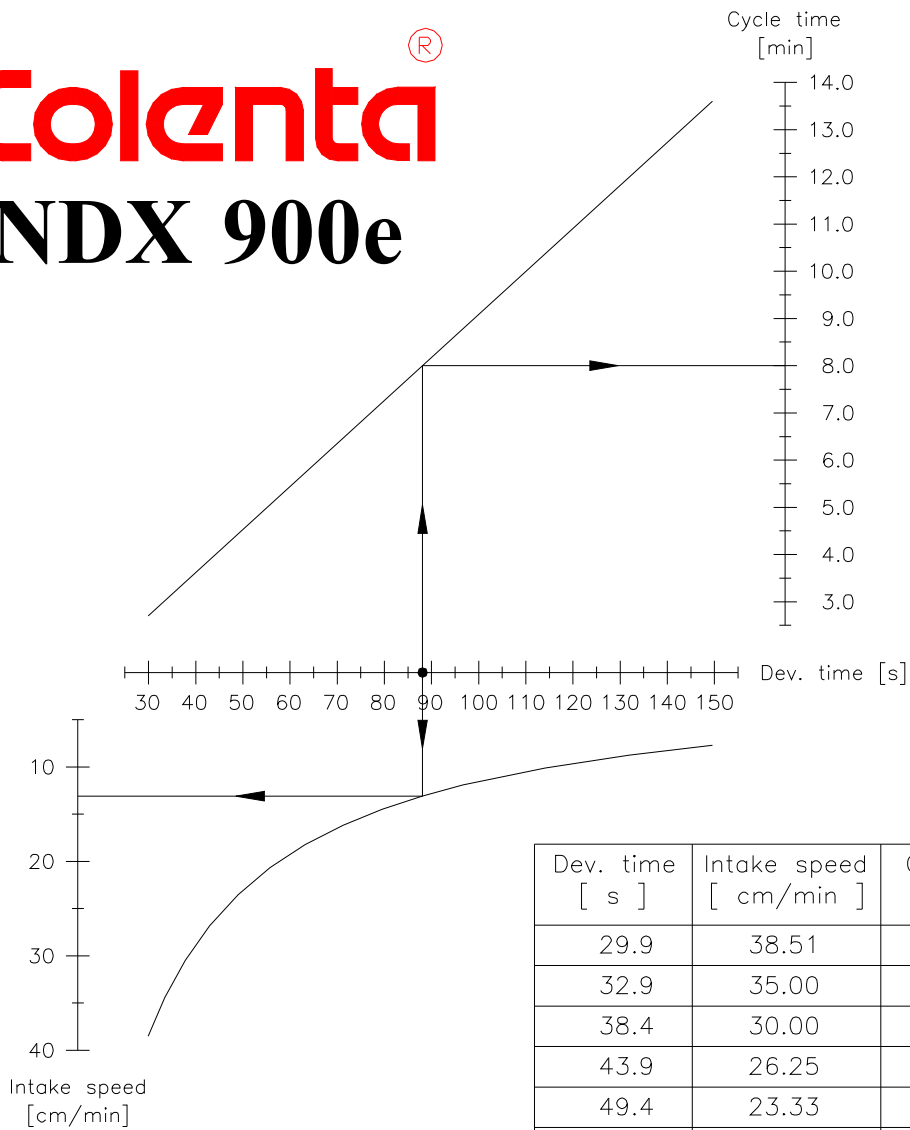
**Transport system INDX 900e :**

**Colenta<sup>®</sup>**  
**INDX 900e**



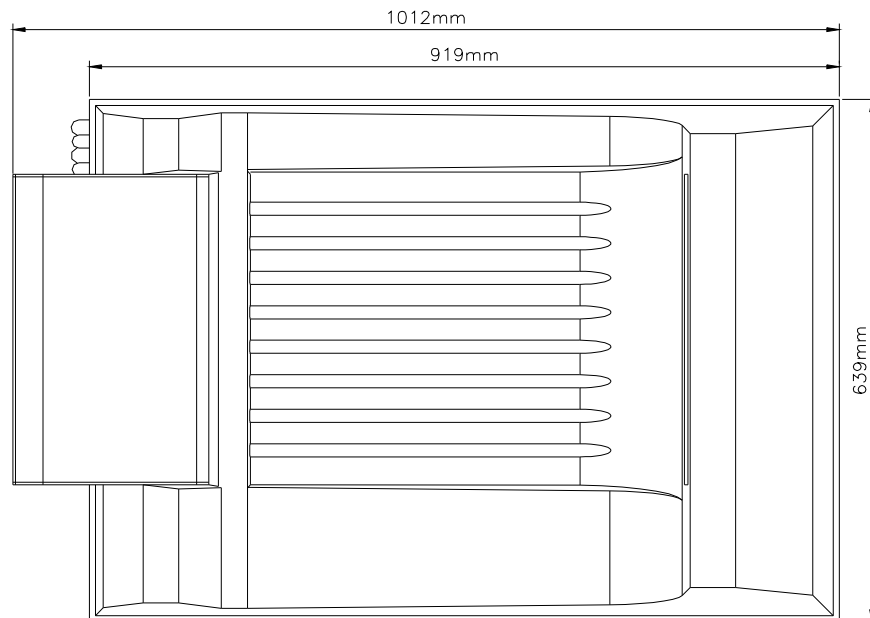
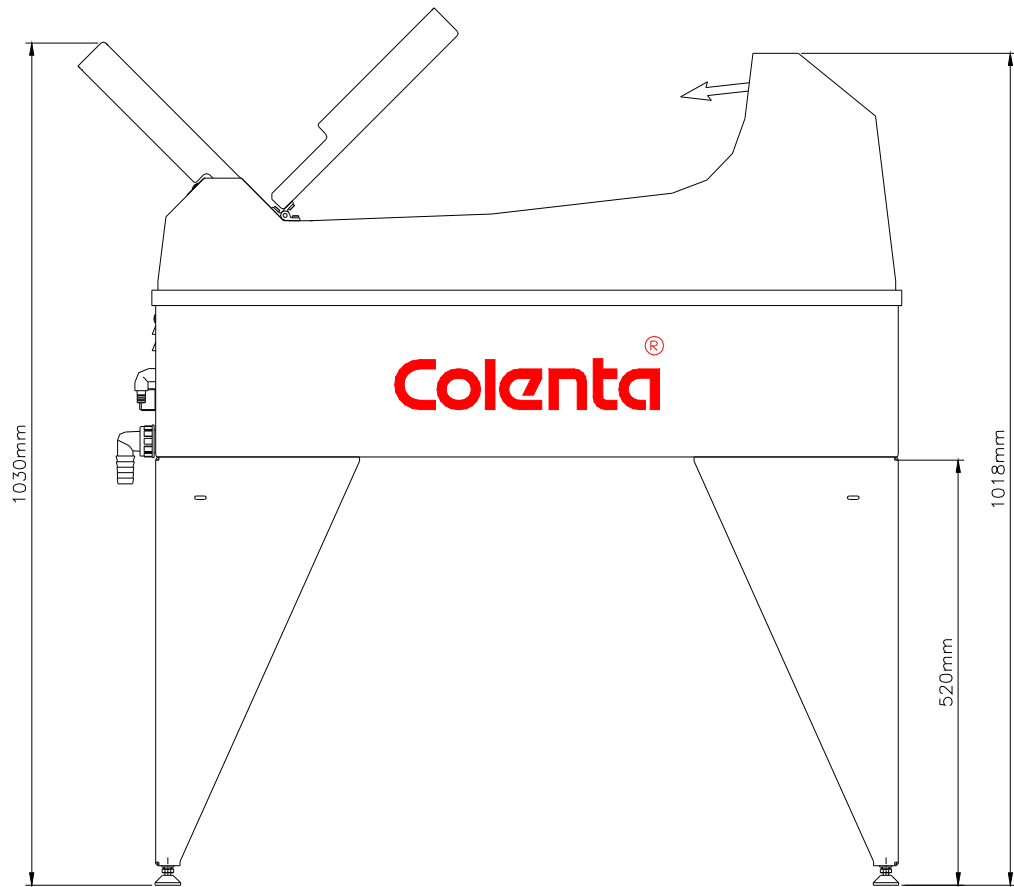
# INPUT SPEED / DEV-TIME / CYCLE-TIME:

**Colenta**<sup>®</sup>  
**INDX 900e**



Dev. time [ s ]	Intake speed [ cm/min ]	Cycle time [ min ]
29.9	38.51	2.7
32.9	35.00	3.0
38.4	30.00	3.5
43.9	26.25	4.0
49.4	23.33	4.5
54.9	21.00	5.0
60.3	19.09	5.5
65.8	17.50	6.0
71.3	16.15	6.5
76.8	15.00	7.0
82.3	14.00	7.5
87.8	13.13	8.0
93.3	12.35	8.5
98.7	11.67	9.0
104.2	11.05	9.5
109.7	10.50	10.0
120.7	9.55	11.0
131.7	8.75	12.0
142.6	8.08	13.0
149.6	7.70	13.6

## DIMENSIONS OF COLENTA INDX 900e:



# power supply: INDX 900e

**230 VAC single phase, 50/60 Hz**  
**total power consumption 1,7 kW**



**main switch**

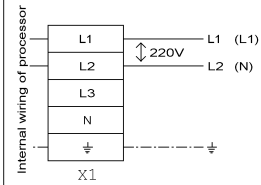
**fuse**

**fuse**

**3 pin - power socket**

(a suitable power cord is provided with the processor)

ATTENTION:  
PROCESSOR TO BE CONNECTED TO  
SUPPLY NET: 220V 50/60Hz



In case the above voltages are not available at site, please contact your local dealer or the factory for rewiring advice.

# export packing: INDX 900e

**packing dimensions:**

**1 carton box on palette**

**packing volume:**

**120cm x 80cm x 80cm (L x W x H)**

**weight with packing:**

**0,768 m<sup>3</sup>**

**80 kg**

